



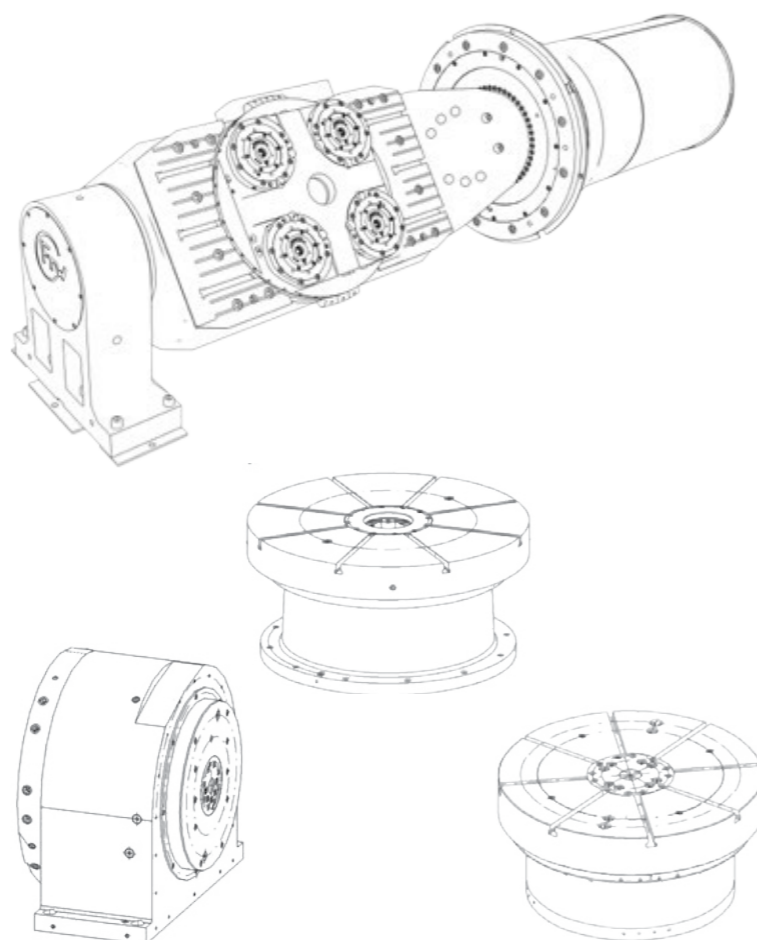
In 2017 CYTEC founded a new Rotary Table Division in East Germany. Combining many years of know how in the field of rotary tables, and direct drive technology, FTW joined our company group. Founded in 1910, FTW adds decades of experience into this alliance. Therefore our tables are known as the most precise solution in the market. CYTEC/FTW rotary units have been proven to be excellent technical products.



Your Advantages:

- + **ACTIVE FACEPLATE COOLING**
(growth max. 35 μ)
- + **ACTIVE SAFETY CLAMPING**
with extremely high torques
- + **DISTORTION- AND BACKLASH-FREE**
- + **AXIS CLAMPING**
- + **ACTIVE FACEPLATE COOLING**
table temperature at const. 41°C
- + **Δ ZERO TEMPERATURE CONTROL**
- + **HIGH PRECISION PACKAGE**
optional
- + **AUTOMATIC BALANCING SYSTEM**
optional

+ **UHT DirectDrives**



CYTEC Zylindertechnik GmbH

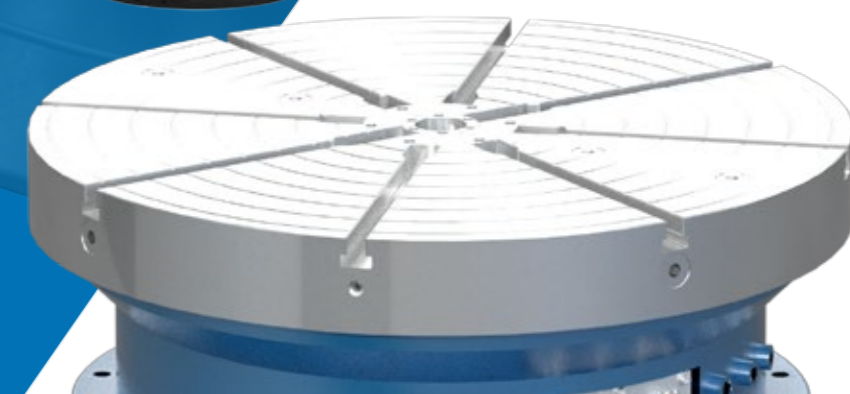
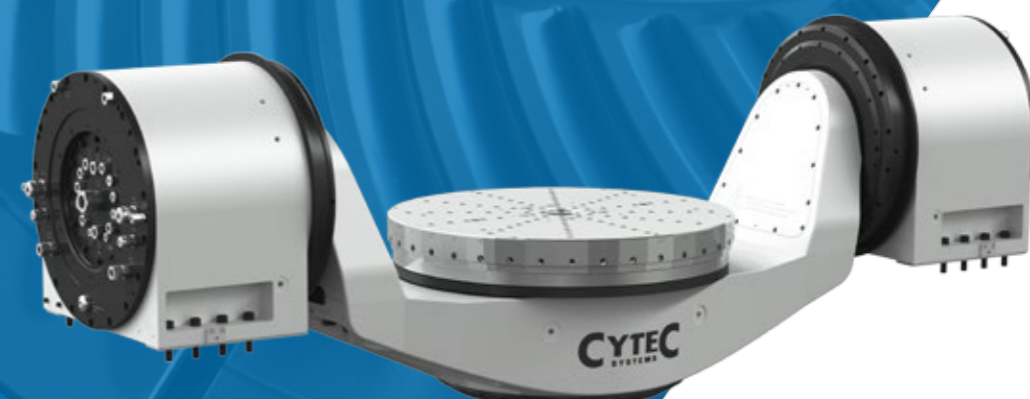
Steffensrott 1 • D-52428 Jülich • Phone: (+49) 2461 / 6808-0 •
Fax: (+49) 2461 / 6808-758 • E-mail: info@CYTEC.de • [http:// www.CYTEC.de](http://www.CYTEC.de)

CYTURN



NC ROTARY TABLES

COMPONENTS PERFECTION.



MADE IN GERMANY 



UHT DirectDrives

Series	CRT-2-400/ CRT-2-400-M/T	
Rotary Axis	HighTorque	HighSpeed
Diameter [mm]:	400	
Rated torque [Nm]:	330	220
Clamping torque [Nm]:	1,600	
Speed max. [rpm.]:	500	1,200
Load max. [kg]	500	
Meas. system	Heidenhain RCN 2380	
Swivel Axis		
Rated torque [Nm]:	1,400	
Clamping torque [Nm]:	4,000	
Speed max. [rpm.]:	35	
Meas. system	Heidenhain RCN 8380	



UHT DirectDrives

Series	CRT-2-630/800 / CRT-2-630/800-M/T	
Rotary Axis	HighTorque	HighSpeed
Diameter [mm]:	630/800	
Rated torque [Nm]:	1,180	860
Clamping torque [Nm]:	2,800	
Speed max. [rpm.]:	105	1,000
Load max. [kg]	750	
Meas. system	Heidenhain RCN 2380	
Swivel Axis		
Rated torque [Nm]:	3,620	
Clamping torque [Nm]:	5,640	
Speed max. [rpm.]:	80	
Meas. system	Heidenhain RCN 2380	



UHT DirectDrives

Series	CRT-2-630/800-HD / CRT-2-630/800-HD-M/T	
Rotary Axis	HighTorque ?	HighSpeed
Diameter [mm]:	630/800	
Rated/max. torque [Nm]:	1,130/2,070	
Clamping torque [Nm]:	4,000	
Speed rated/max. [rpm.]:	315/750	
Load max. [kg]	1,000	
Meas. system	Heidenhain RCN 2380	
Swivel Axis		
Rated/ max. torque [Nm]:	4,990/9,540	
Clamping torque [Nm]:	10,000	
Speed rated/max. [rpm.]:	59/94	
Meas. system	Heidenhain RCN 2380	

DYNAMIC MEETS PRECISION.



Series:	S-Line	M-Line	G-Line
Size:	400 - 600	600 - 1200	1200 - 1800
Bearing Ø [mm]:	260 - 325	325 - 580	580 - 850
Motor:	RM 310 HT	RM 410 HT	RM 564 HT
Rated torque up to [Nm]:	2,530	4,400	9,050
Peak torque up to [Nm]:	4,400	7,550	17,000
Clamping torque up to [Nm]:	6,000	12,000	20,000
Speed max. [rpm]:	100	75	50
Load max. [kg]:	1,000	2,000 - 3,000	4,000 - 6,000
Pos. accuracy [°]:	2,5 / 5	1 / 2,5 / 5	1 / 2,5 / 5
Optional Turning function			
Speed max. up to* [rpm]:	2,000	1,500	800
Load max. [kg]:	1,000	1,100 - 2,000	2,000 - 3,000

*The overview represents the range of technical data for an application oriented definition of the optimum type of motor. Technical parameters are not valid in combination with max values.

Your Options:

- + MILL/TURN OPERATION
- + BUILT-IN CLAMPING SYSTEMS
- + AUTOMATIC BALANCING SYSTEM
- + HIGH PRECISION PACKAGE
- + OPTIONAL FACE PLATES for various requirements and applications
- + TOOL MEASURING SYSTEM with LASER module